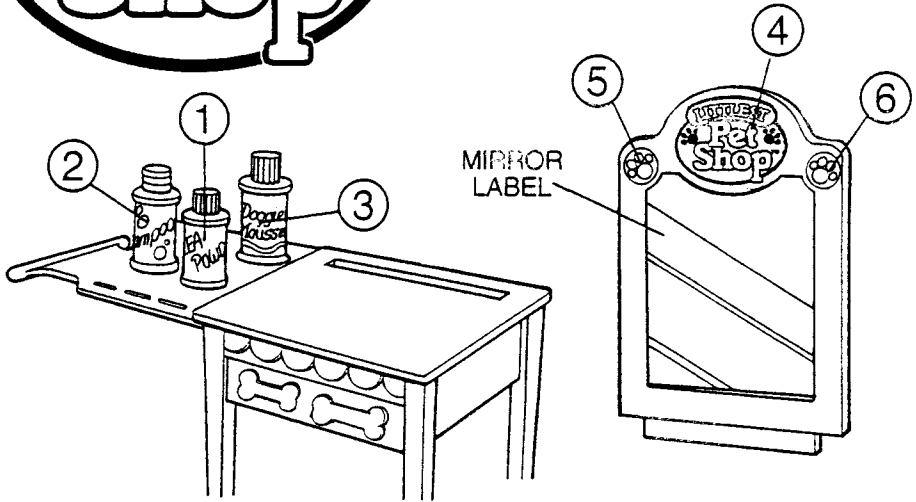


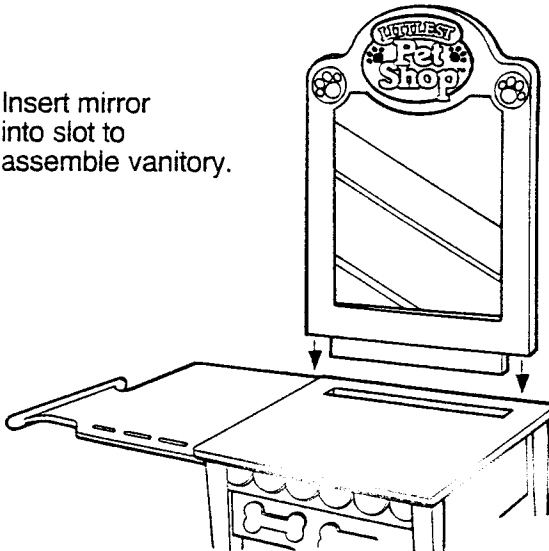


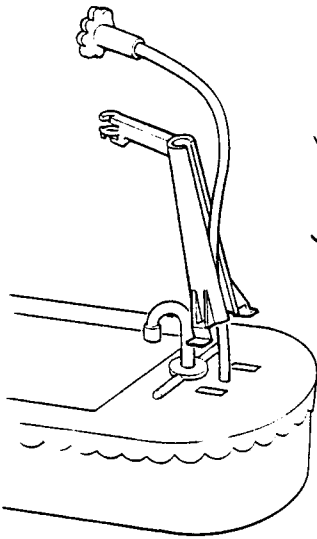
SPLASH HAPPY PUPPIES™



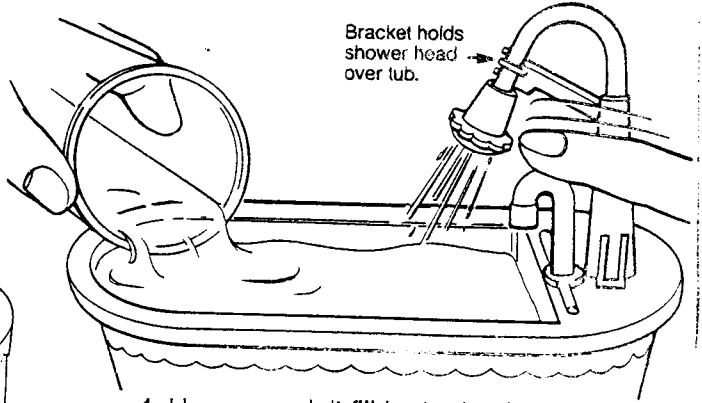
1. Apply labels to pieces using numbers on label sheets and these illustrations as a guide.

2. Insert mirror into slot to assemble vanity.

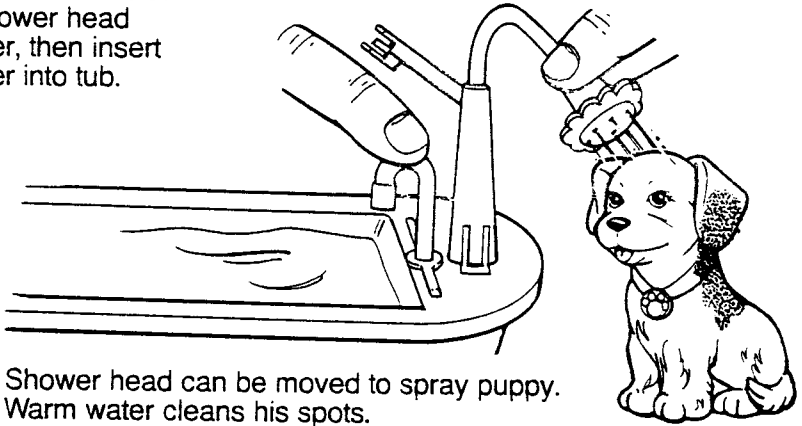




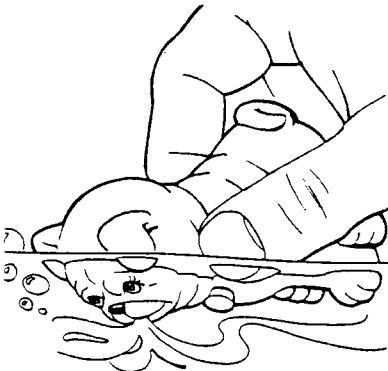
3. Slide tube into slot in shower head holder, then insert holder into tub.



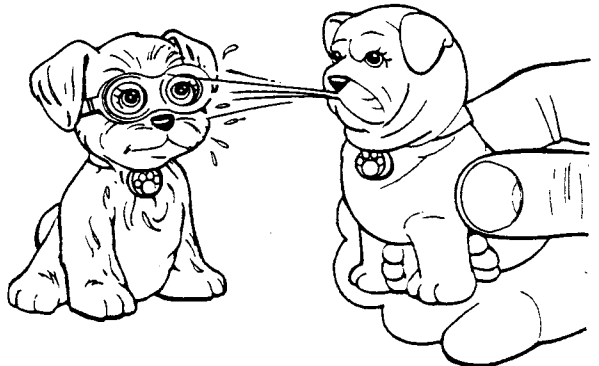
4. Have an adult fill bathtub with warm water. Push down on faucet to pump water out of shower head.



5. Shower head can be moved to spray puppy. Warm water cleans his spots.



6. To fill puppy, squeeze and release under water.



7. Remove puppy from water and squeeze to squirt water.