

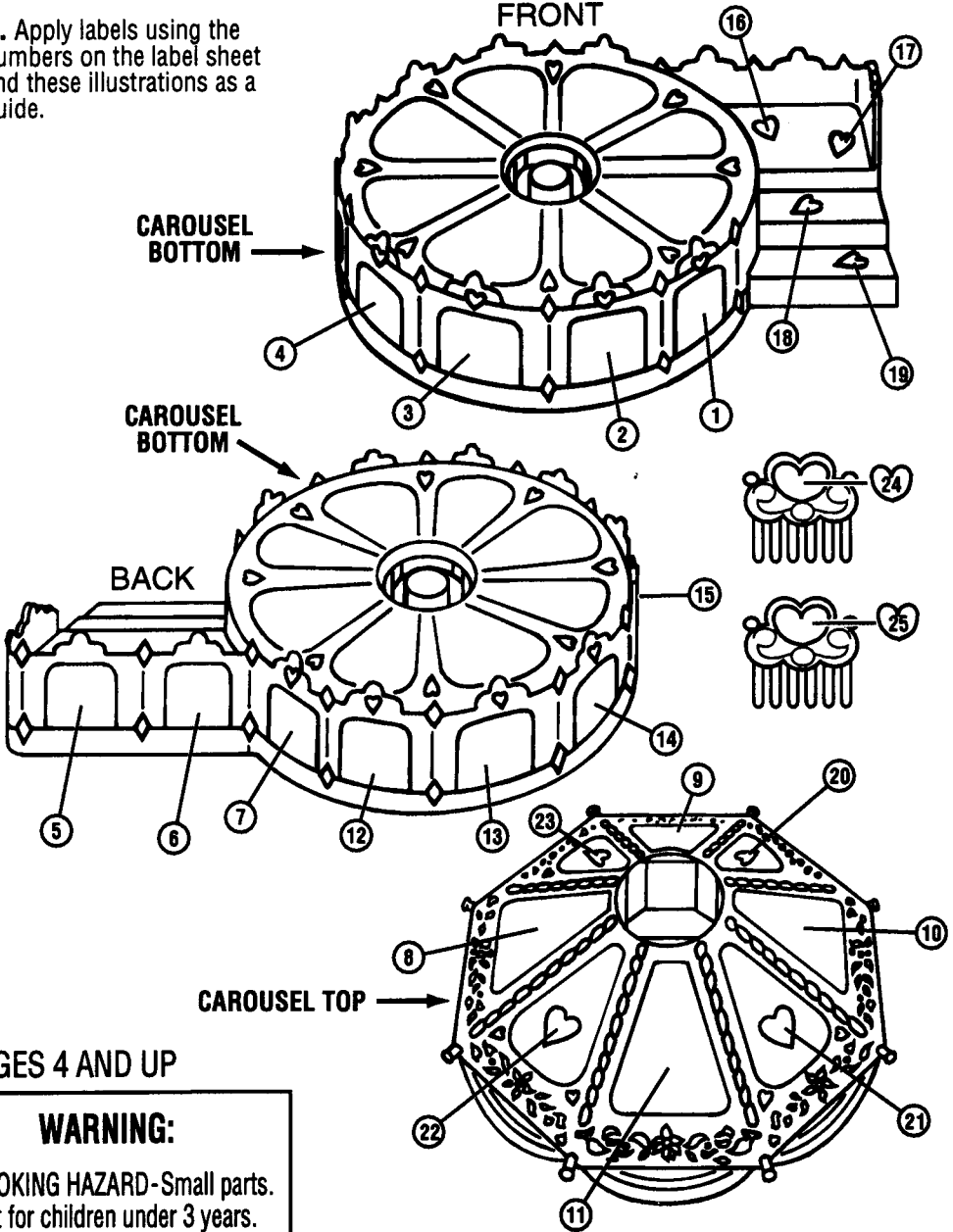


FANCY CURLS CAROUSEL™

PLAYSET

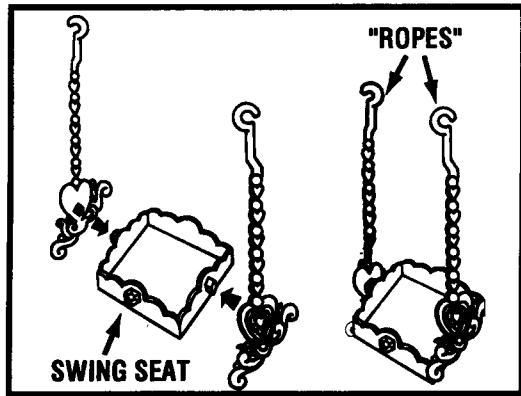
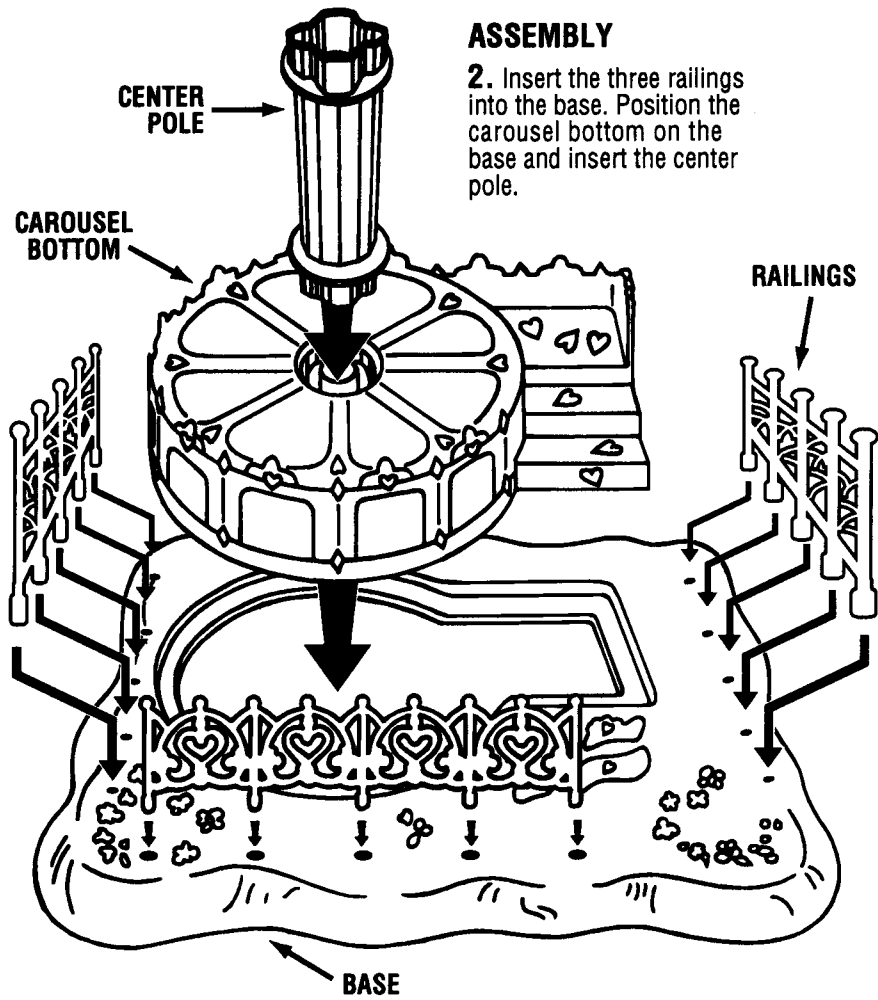
LABEL APPLICATION

1. Apply labels using the numbers on the label sheet and these illustrations as a guide.

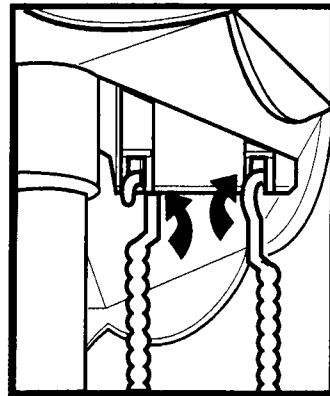


AGES 4 AND UP

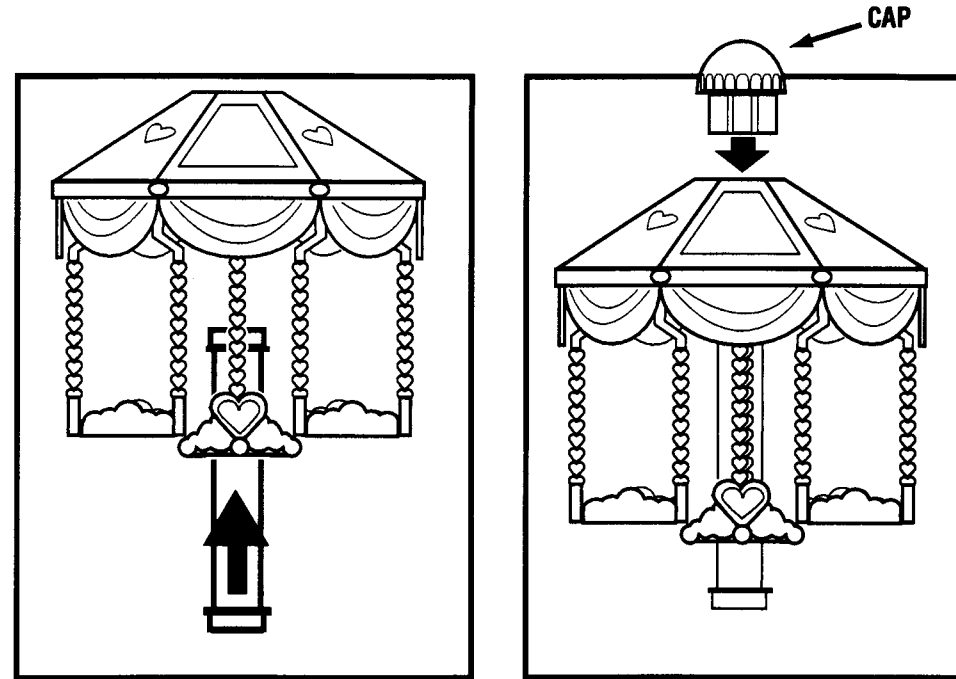
WARNING:
 CHOKING HAZARD - Small parts.
 Not for children under 3 years.



3. Assemble the four swings. All the seats and "ropes" are the same. Snap two "ropes" on the pegs on the sides of each swing.

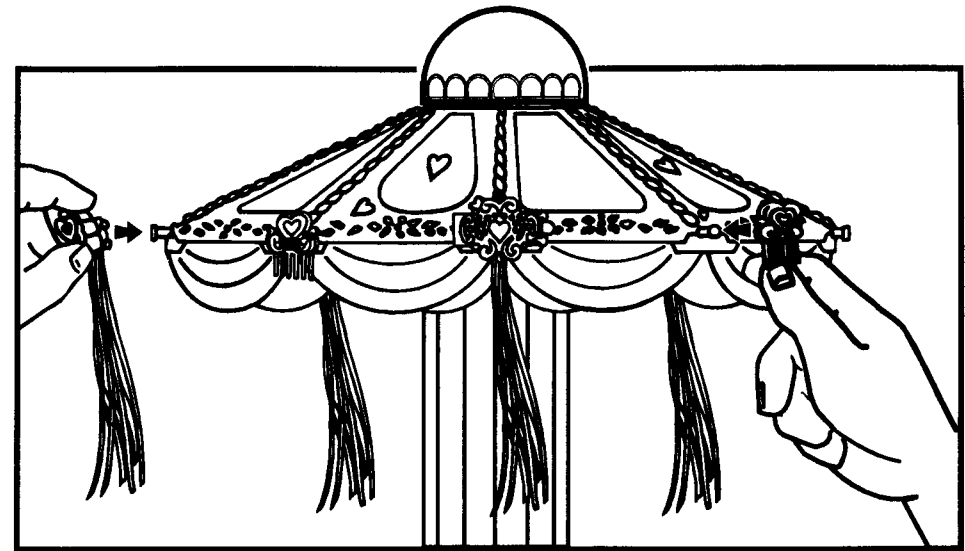


4. Find the carousel top and attach each swing to it. The "rope's" ends go into the holes on the underside of the carousel top as shown.



5. Place the carousel top with the swings attached onto the center pole.

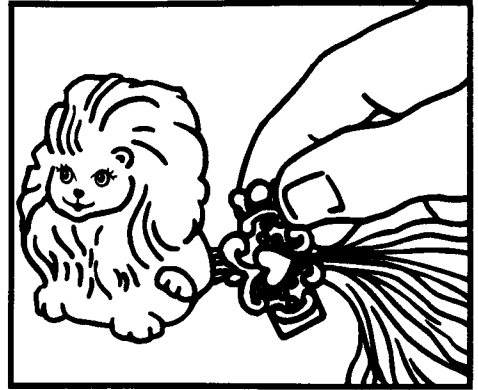
6. Place the cap on the center pole holding the carousel top in place.



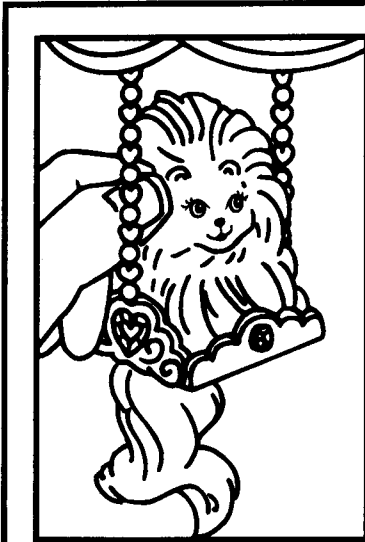
7. The barrettes and combs fit on the pegs around the edge of the carousel top.



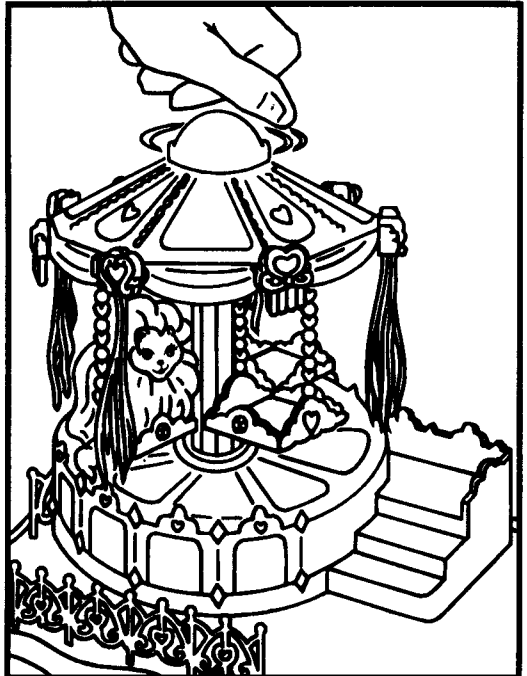
8. When not attached to the carousel top, the comb can be used to comb your pet's hair.



9. The barrettes can also be used to help create a hair style for your pets.



10. Have some fun with your pet on the carousel. Once the pet is seated in a swing, you can swing it or turn the cap for a carousel ride.



Kenner®

© 1995 TONKA CORPORATION, a subsidiary of Hasbro, Inc., Pawtucket, Rhode Island 02862. All Rights Reserved. MADE IN CHINA.